

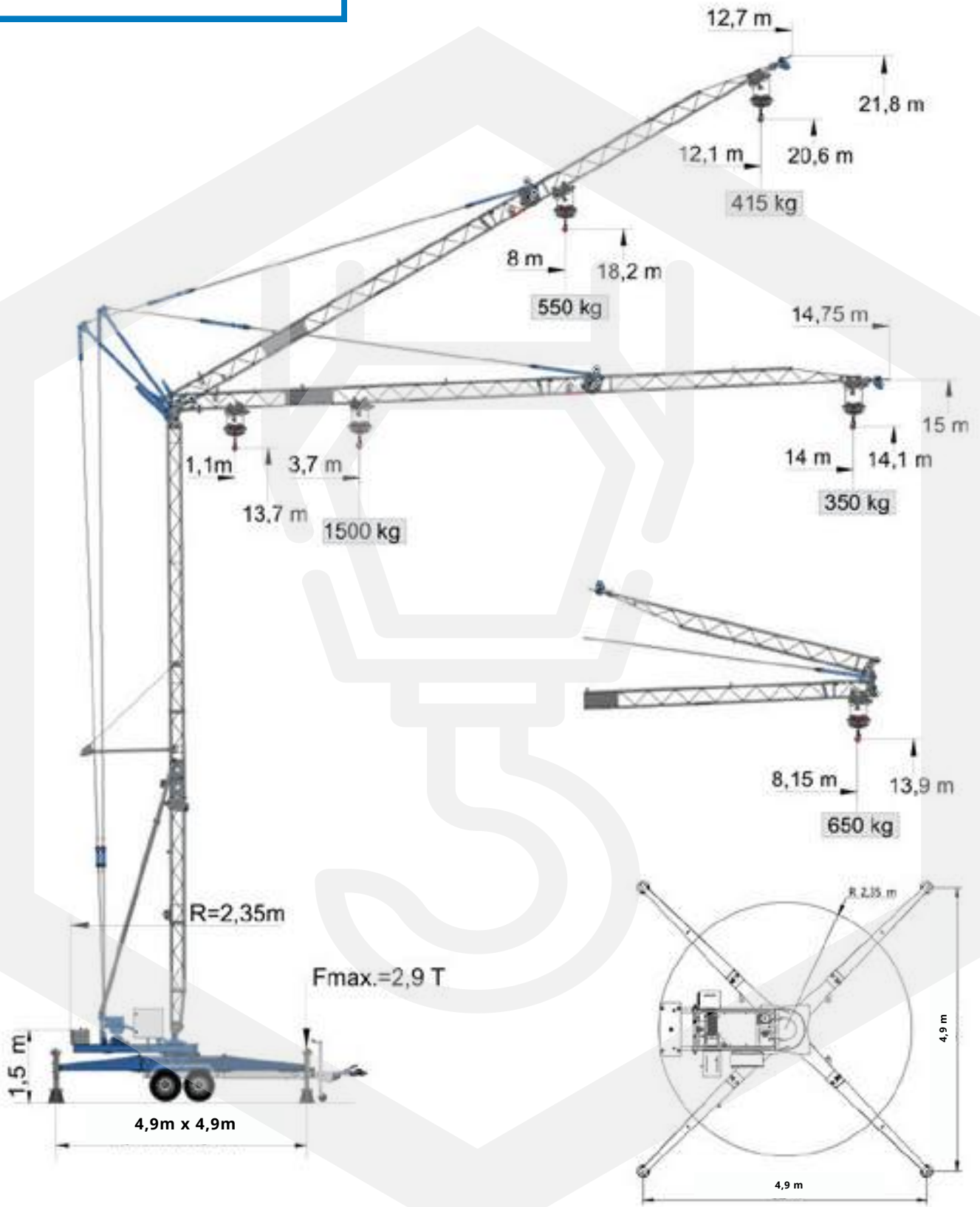


BOUWKRAAN SPECIALIST

Samen maken we bouwen veilig

MiDi
CRANES

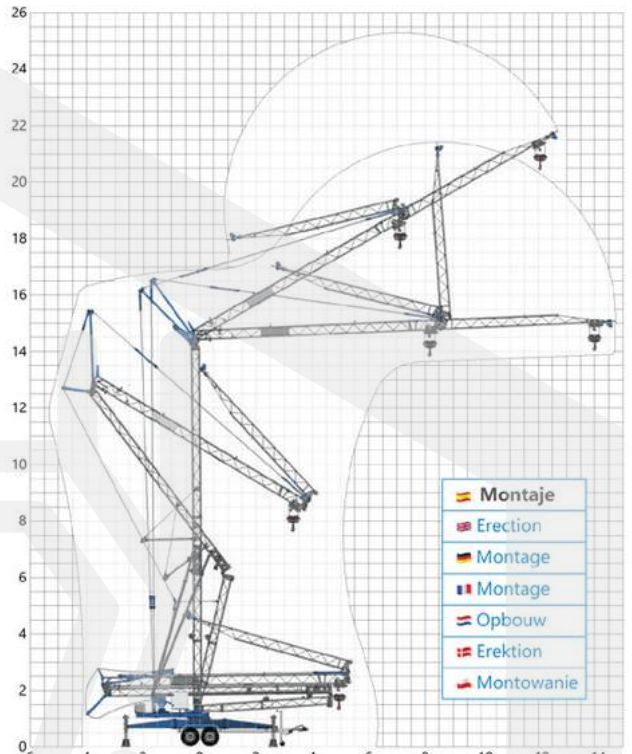




Transport



RD-XP: ROAD EXPRESS TRAILER
B+E: MNR 3500 Kg



Icon	KW	CV
Vertical arrow	2,20	3,00
Horizontal arrow	0,55	0,75
Diagonal arrow	0,75	1,00
Swing icon	0,75	1,00
Hoist icon	0,37	0,50

230V 50 Hz 16 A 4 KVA



		1st	2nd	3rd
Horizontal	m/min	8,60	21,50	-
	rpm	0,38	1,00	-
30°	m/min	11	19	29,50
	Kg	≤ 1500	< 800	< 500
1/2 Jib	m/min	11	19	29,50
	Kg	≤ 800	< 750	< 400

Ballast

KG					RD-XP
FIX					540
EXTRA					-

Lasten tabellen

RD-XP		1,1	3,7	5	6	7	8	9	10	11	12	13	14
Horiz	MAX	1500	1500	1150	875	750	650	590	525	485	420	395	350
30° Jib	MAX	650	650	650	650	650	650	590	525	485	420	-	-
1/2 Jib	MAX	1500	1500	1220	930	824	650	-	-	-	-	-	-

